

ISP10 AVR ISP PROGRAMMING ADAPTER

Technical User Guide

Features:

- ISP Programmer for Amber Web Server
- ISP Programmer for the P1 Pirana AVR
- Attaches to PC's parallel Port
- Ten pin programming header
- Programs all Atmel AVR devices
- Target supplies power: 2.5V-5VDC

Overview

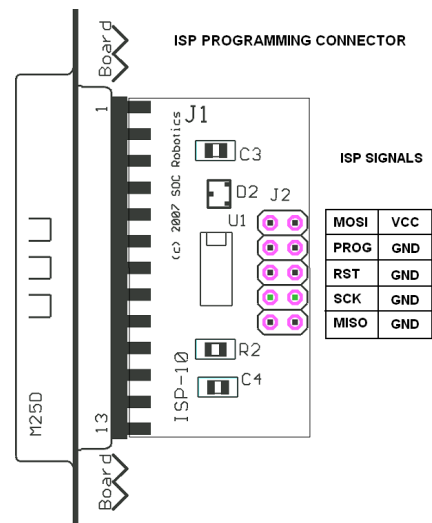
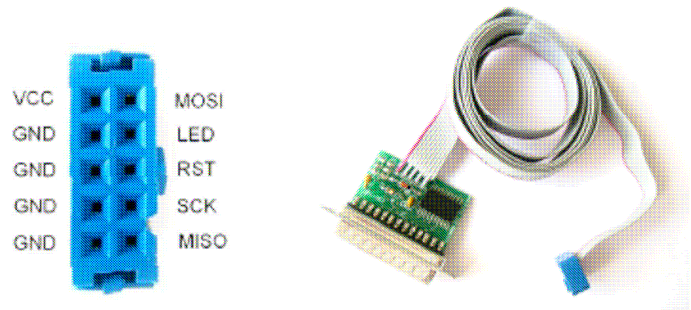
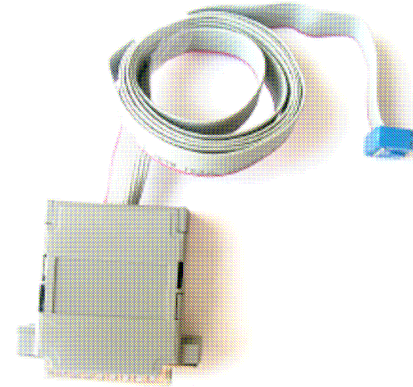
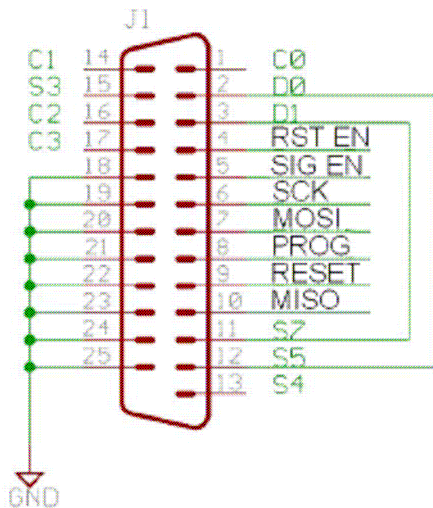
The In-System-Programmer (ISP) Programming Adapter is used to download and program the WS128 Amber Web Server Programmer and P1 AVR processor. The ISP10 programmer is compatible with a number of open source and/or free PC programming utilities. The programming adapter attaches to the PC's parallel port. A keyed 10 pin header attaches to the target Amber board.

Three programming utilities are compatible with the ISP10 Programming Adapter. **AVRdude.exe** is distributed with the GNU AVR C GCC tools, **ponyprog.exe** is available as a free utility from www.lancos.com and **isprog.exe** is available as a free programming utility from www.soc-robotics.com.

Ordering Information

ISP10 AVR ISP Programming Adapter

Orders maybe placed directly with SOC Robotics, Inc. using the online the web site: www.soc-robotics.com, calling (604) 628-7227 or by di

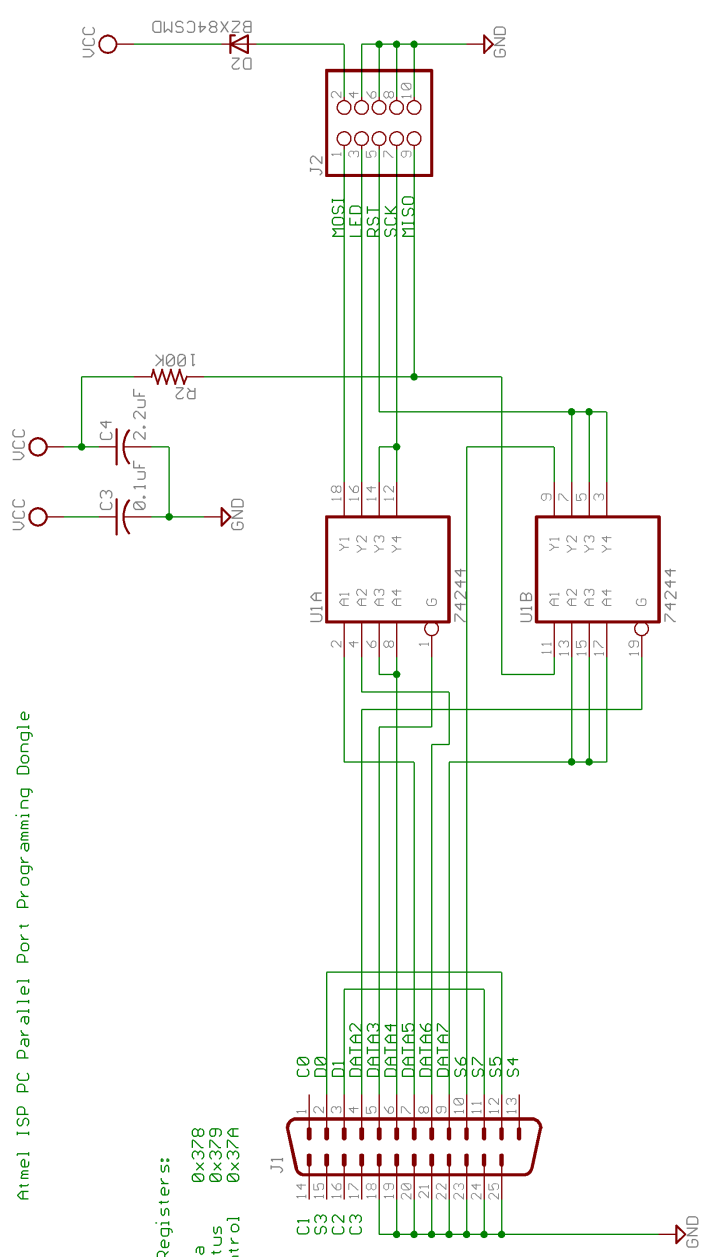


ISP10 Circuit Schematic

(c) Copyright 2006. SOC Robotics, Inc. All rights reserved.

Atmel ISP PC Parallel Port Programming Dongle

LPT Registers:
 Data 0x378
 Status 0x379
 Control 0x37A



SOC Machines, Inc.
 Vancouver, BC

TITLE: ISP Programmer 3

Document Number: 20031026

Date: 6/21/2007 10:09:19a

REU:
 A

Sheet: 1/1